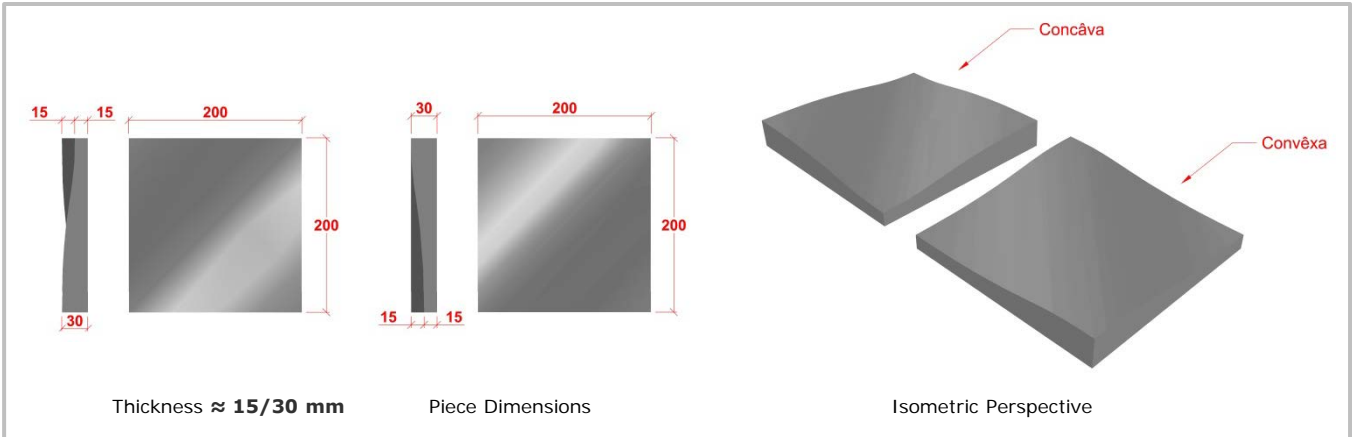


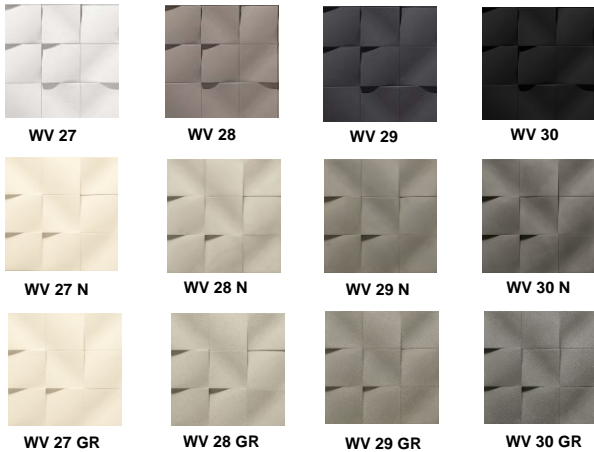
WAVE 200 x 200 x 15/30

units: mm



Given the characteristics of aggregates and their photographic reproduction, there may be slight variations in particle size and tone.

Available Colors



Product characteristics and package

Product Type	Flat Elements
Quantity per Pallet	38,40 sqm
Quantity per Box	0,48 sqm
Items/sqm	25 Units
Items/Box	12 Units
Boxes/Pallet	80 Boxes
Average weight/sqm	45,50 kg
Average weight/Box	21,6 kg
Average weight/Pallet	1760 kg With Pallet
Approved: Vitor Silva	Elaborate: Bruno Veloso

Technical Specifications

Product Classification	EN 14618	Concrete Coating
Surface Quality	EN 14617-16	Visual Inspection
Dimensions and Geometry	EN 14617-16	Tolerances \pm 5 mm
Maximum Water Absorption	EN 14617-1	\leq 8 %
Average Apparent Density	EN 14617-1	2200 \pm 50 kg/m ³
Freeze/Thaw Resistance Flexural Strength (after 25 cycles)	EN 14617-5 EN 14617-2	Pass No change
Thermal Shock Resistance Flexural Strength (after 20 cycles)	EN 14617-6 EN 14617-2	Pass No change
Minimum Flexural Strength	EN 14617-2	7 MPa
Compressive Strength Class Minimum Compressive Strength	EN 206 EN 12390-3	C30/37 \geq 37 N/mm ²
Water Absorption by Capillary	EN 772-11	\leq 1 g/(m ² .s)
PTDS n ^o : WAV_001_EN	Date: 21/11/2019	